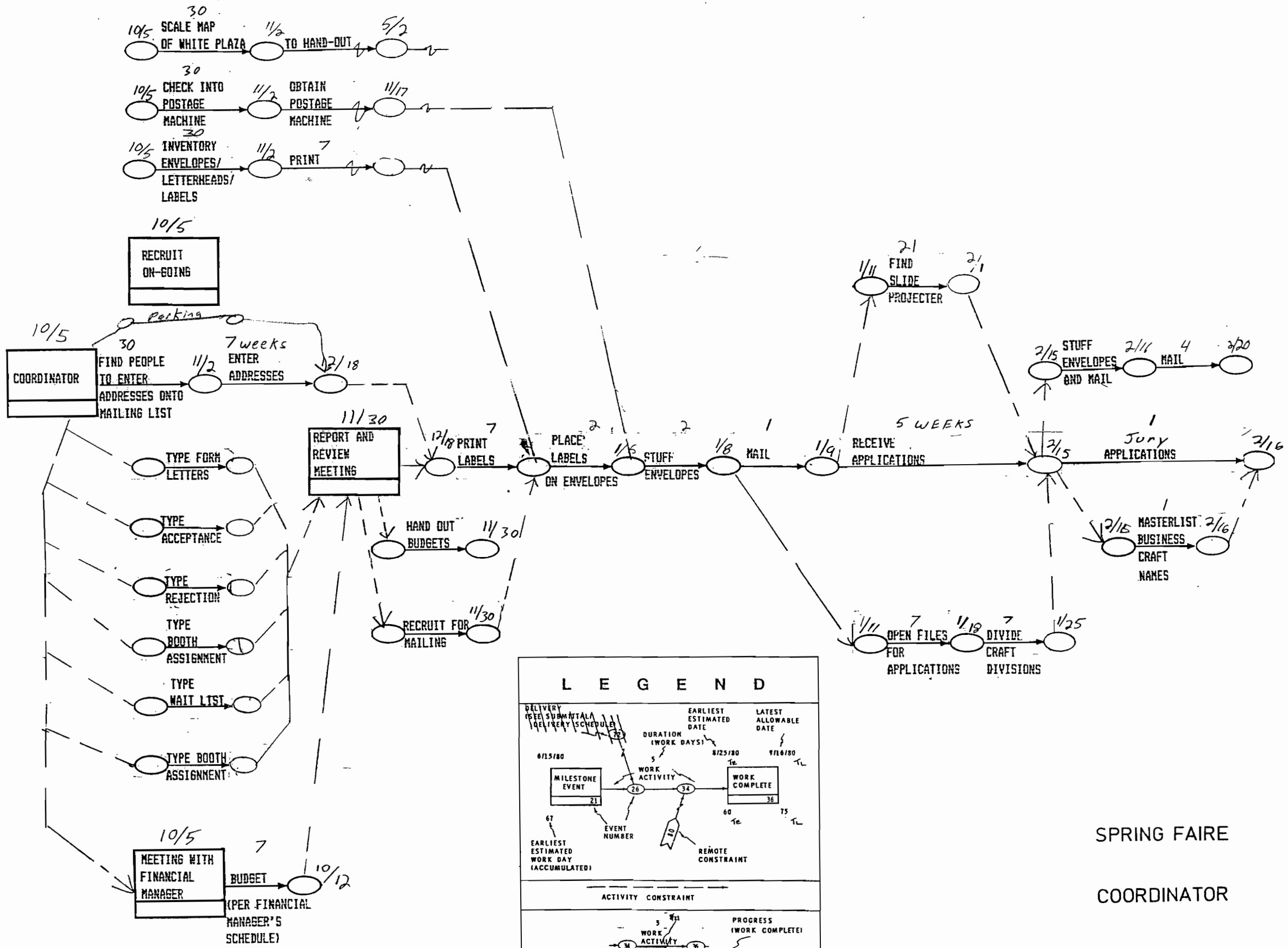
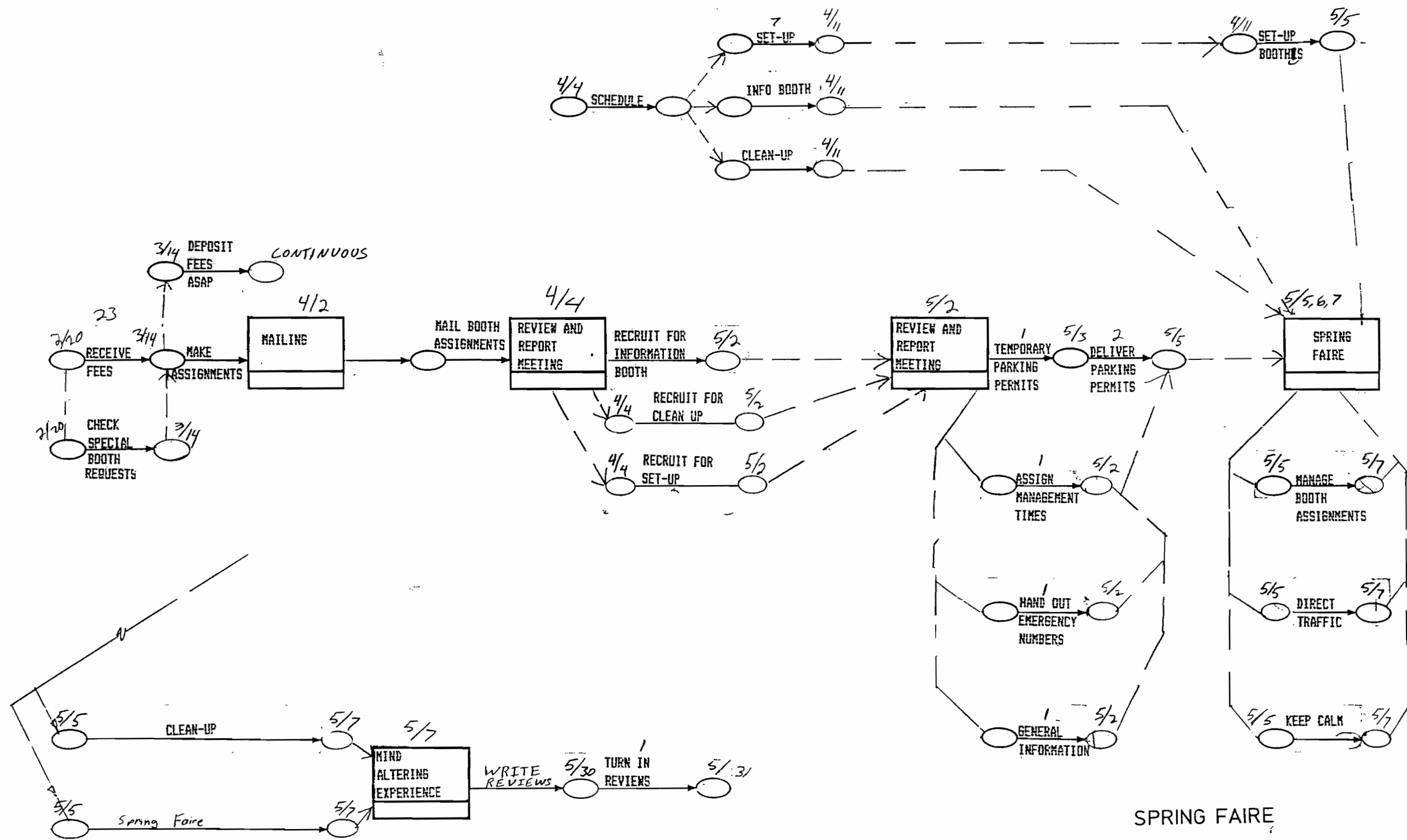


REVISIONS		ANALYST:		PERT / CPM NETWORK ANALYSIS	
		DRAWN: BH		BARRETT & ANDREA HEYWOOD CONTRERAS	
		CHECKED: BH			
		APPROVED:			
		DATE 7/30/87			
		SHEET 1 OF 7			
JOB NO.		MANAGEMENT CONSULTANT		DENNIS STARKOVICH	
				POST OFFICE BOX 50383 PALO ALTO, CALIFORNIA 94301-3800	

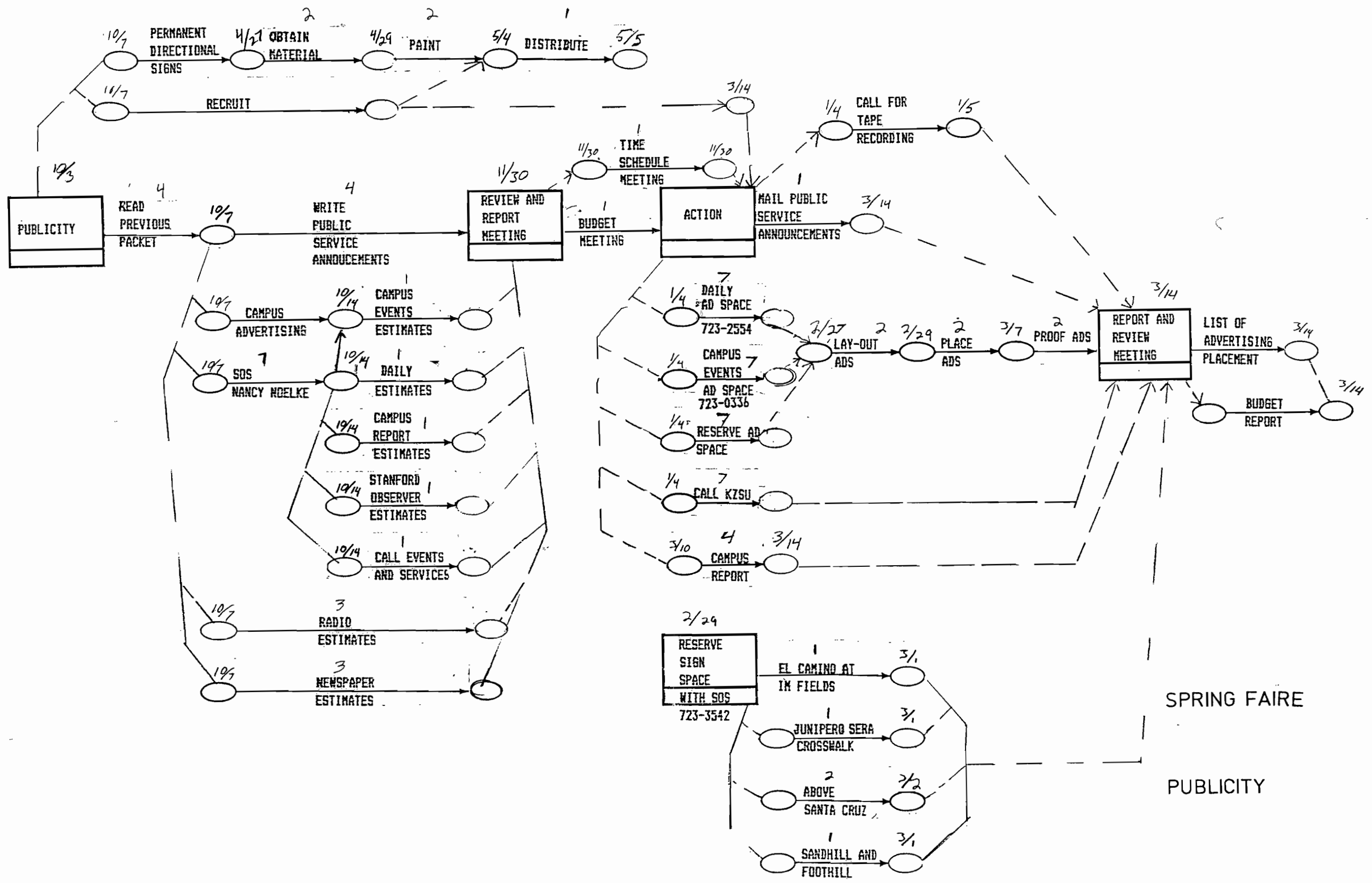
SPRING FAIRE
SUMMARY TIME-LINE



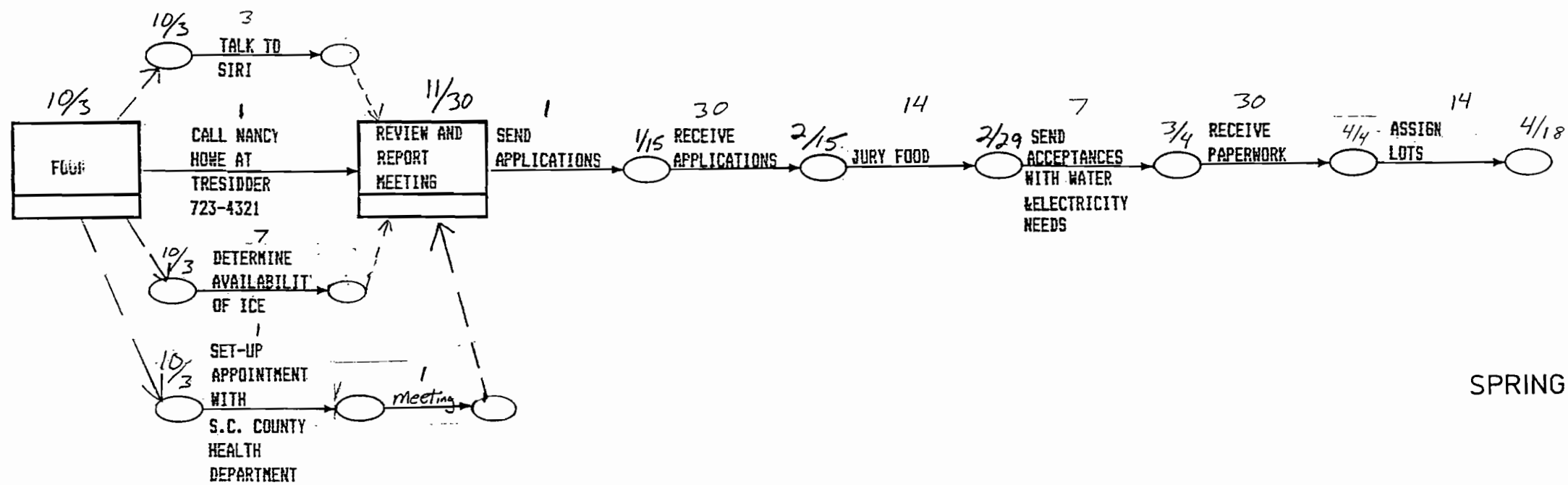
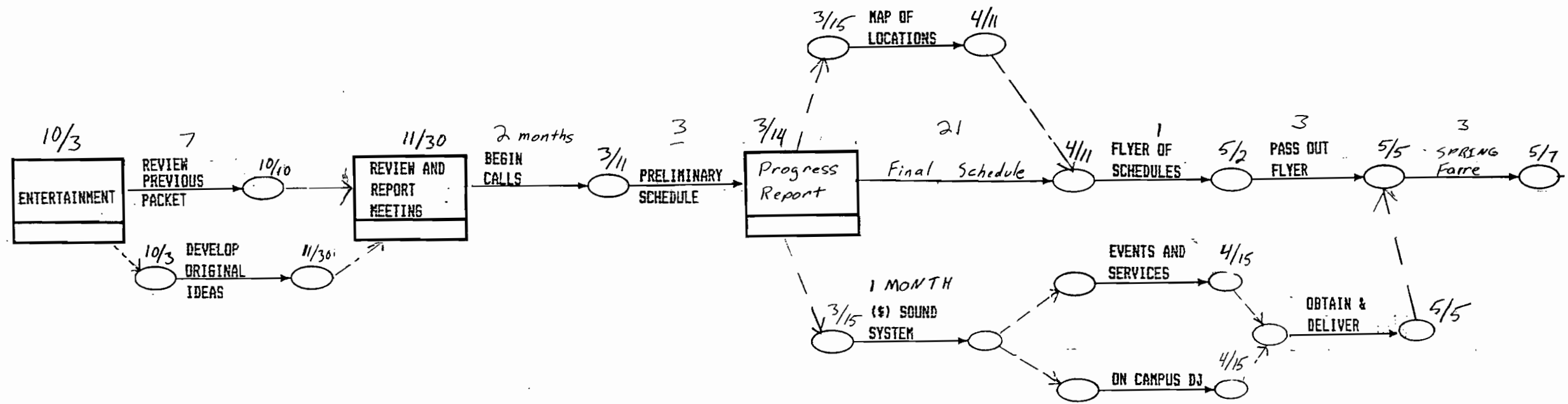
SPRING FAIRE
COORDINATOR



SPRING FAIRE
COORDINATOR



SPRING FAIRE
PUBLICITY



SPRING FAIRE

ENTERTAINMENT

FOOD

