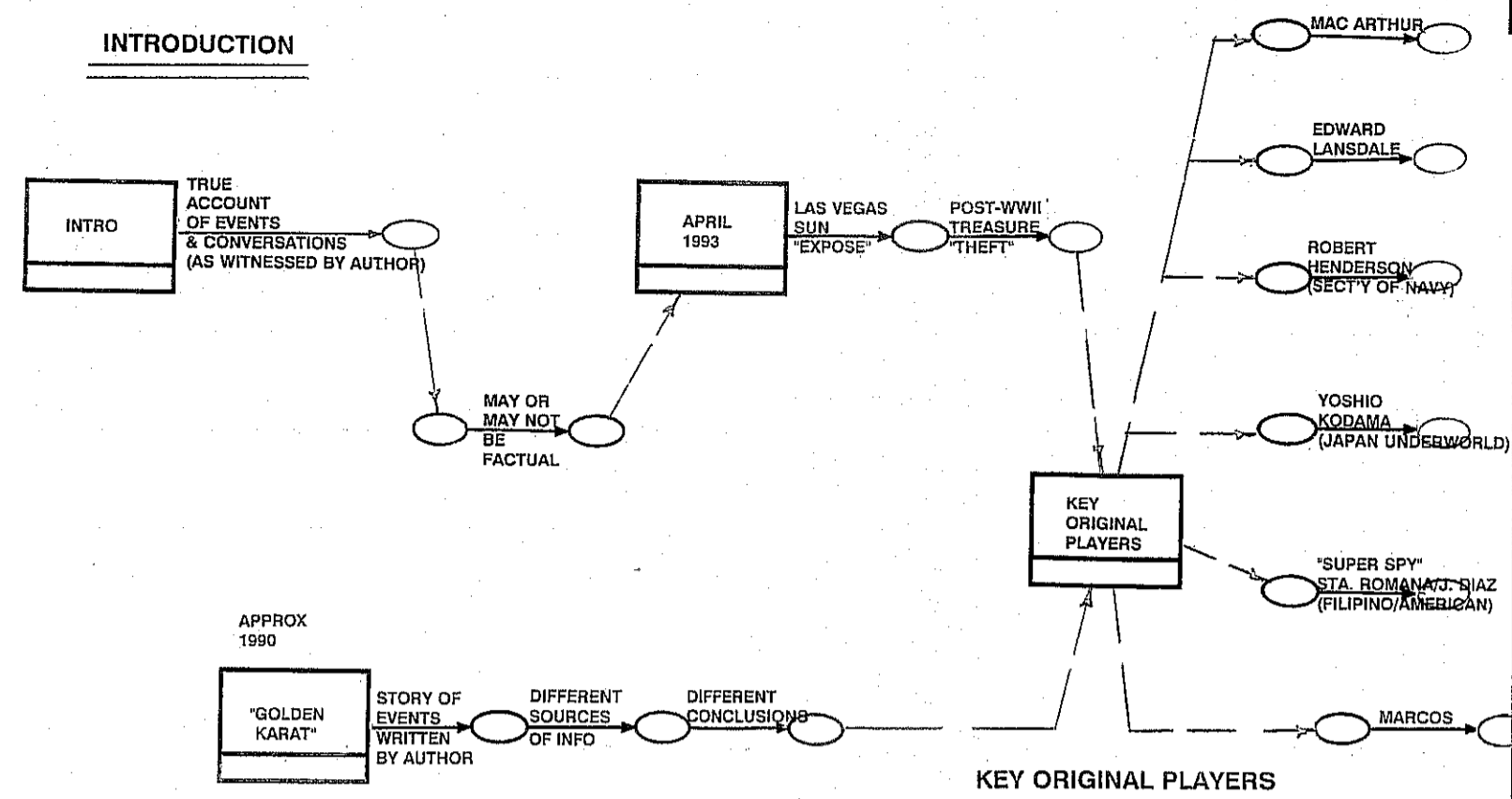
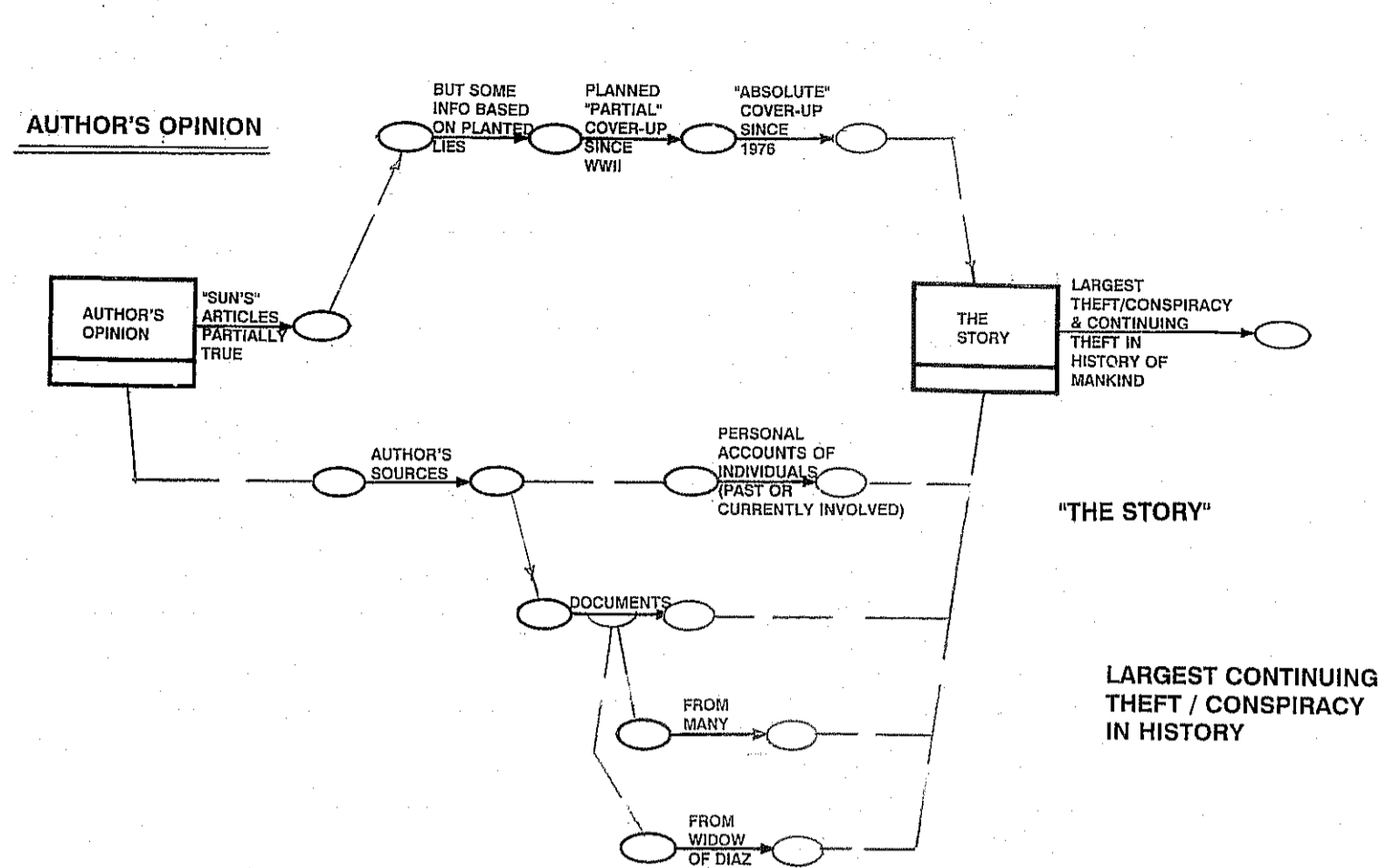


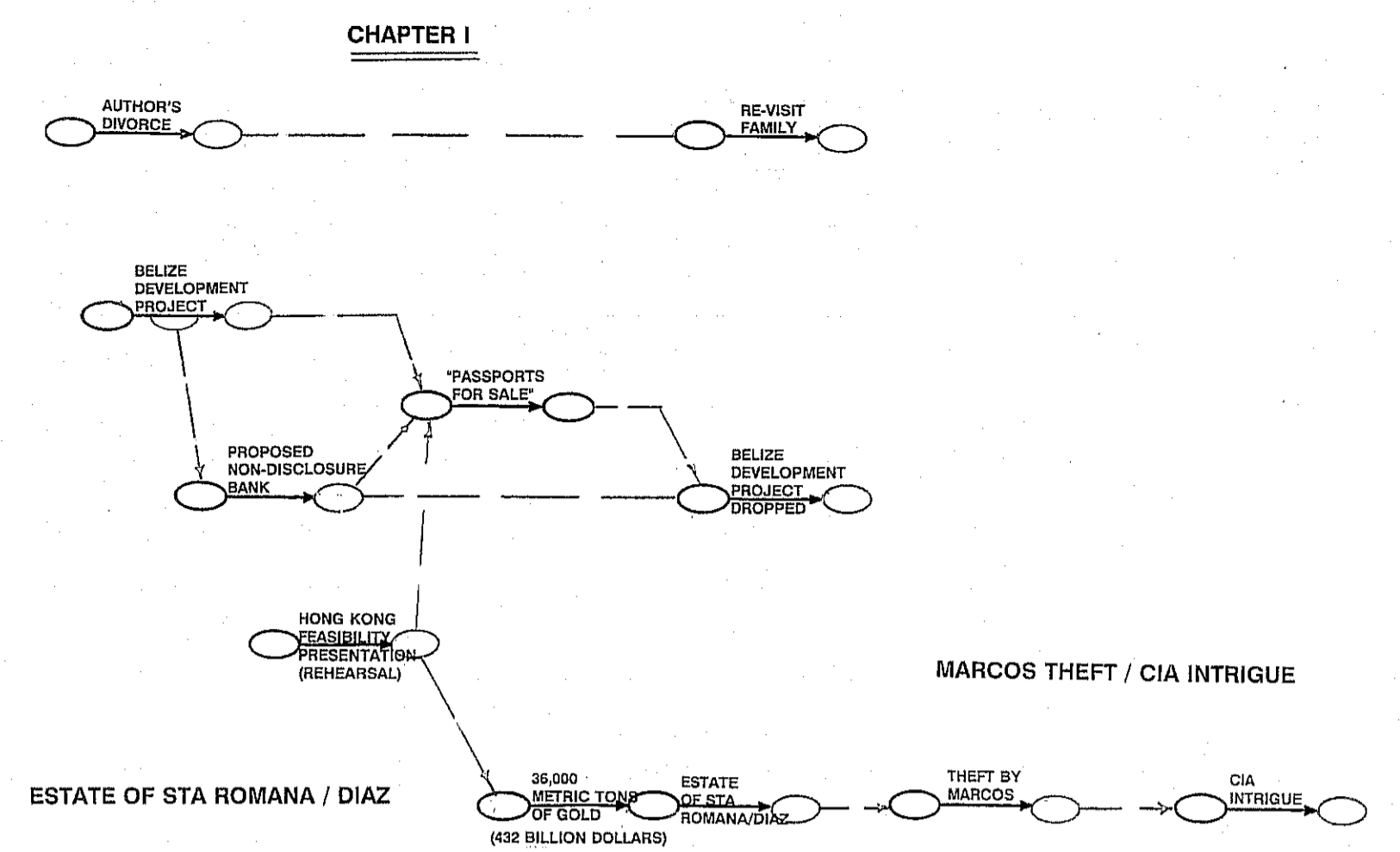
INTRODUCTION



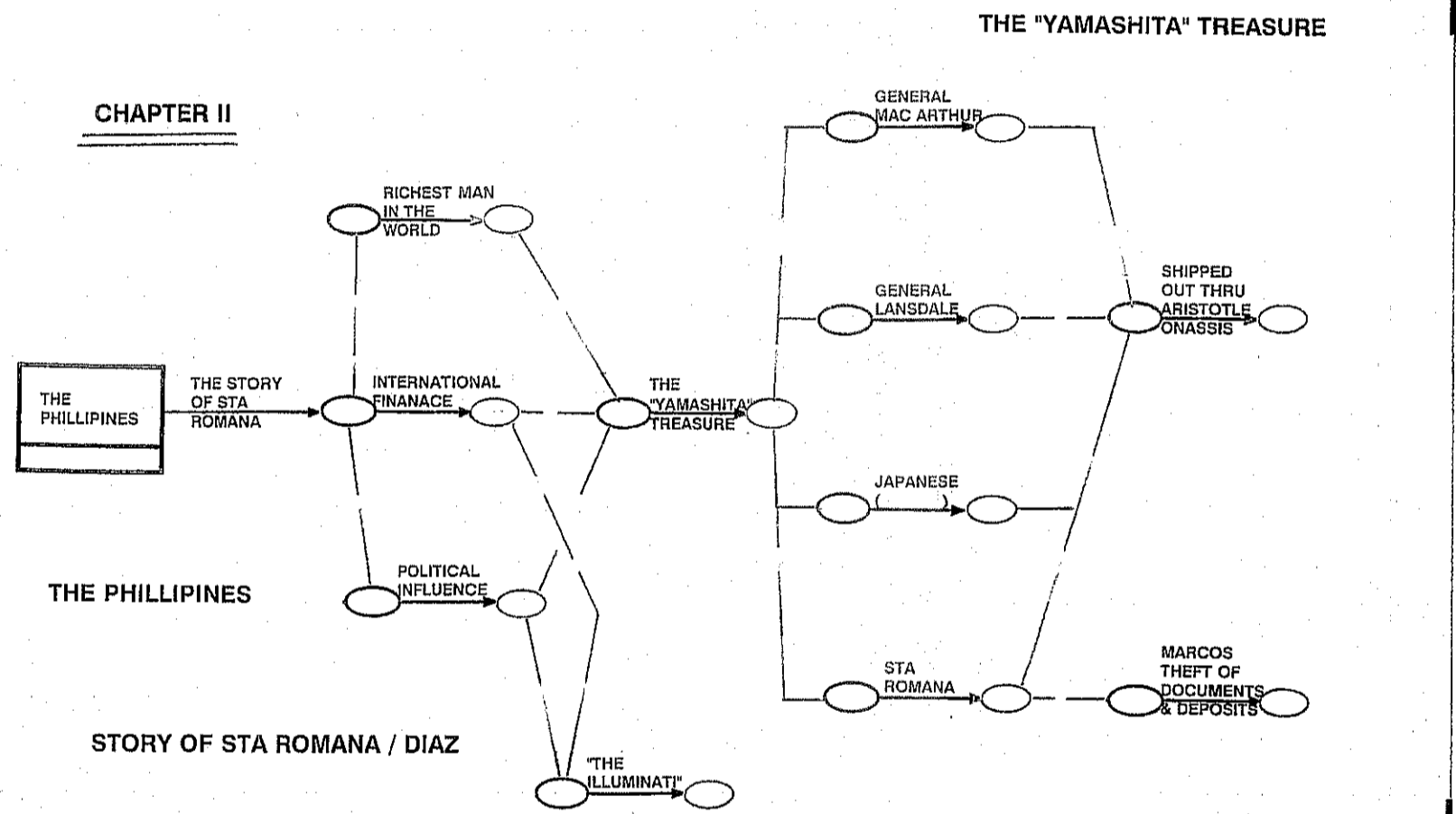
AUTHOR'S OPINION



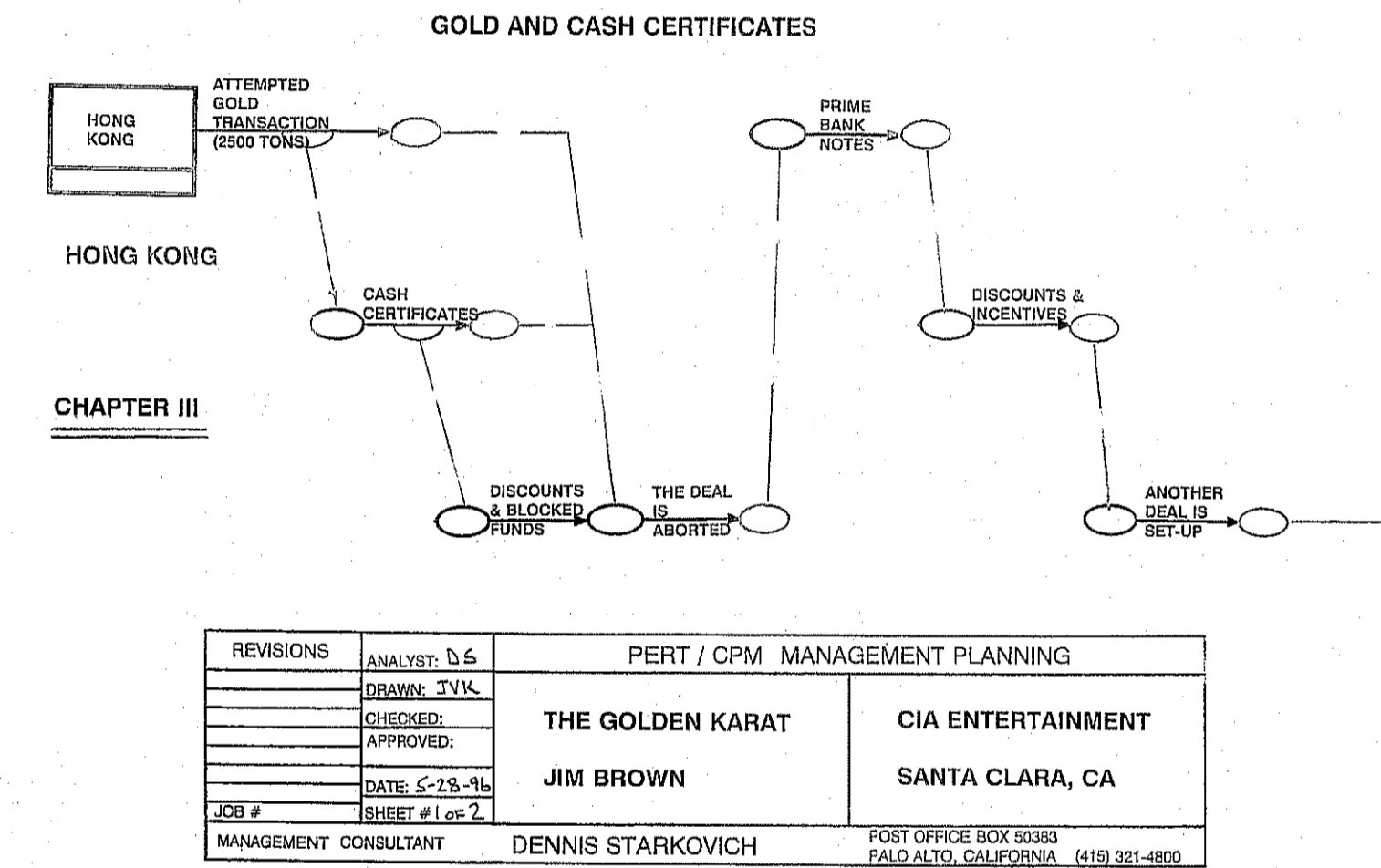
CHAPTER I



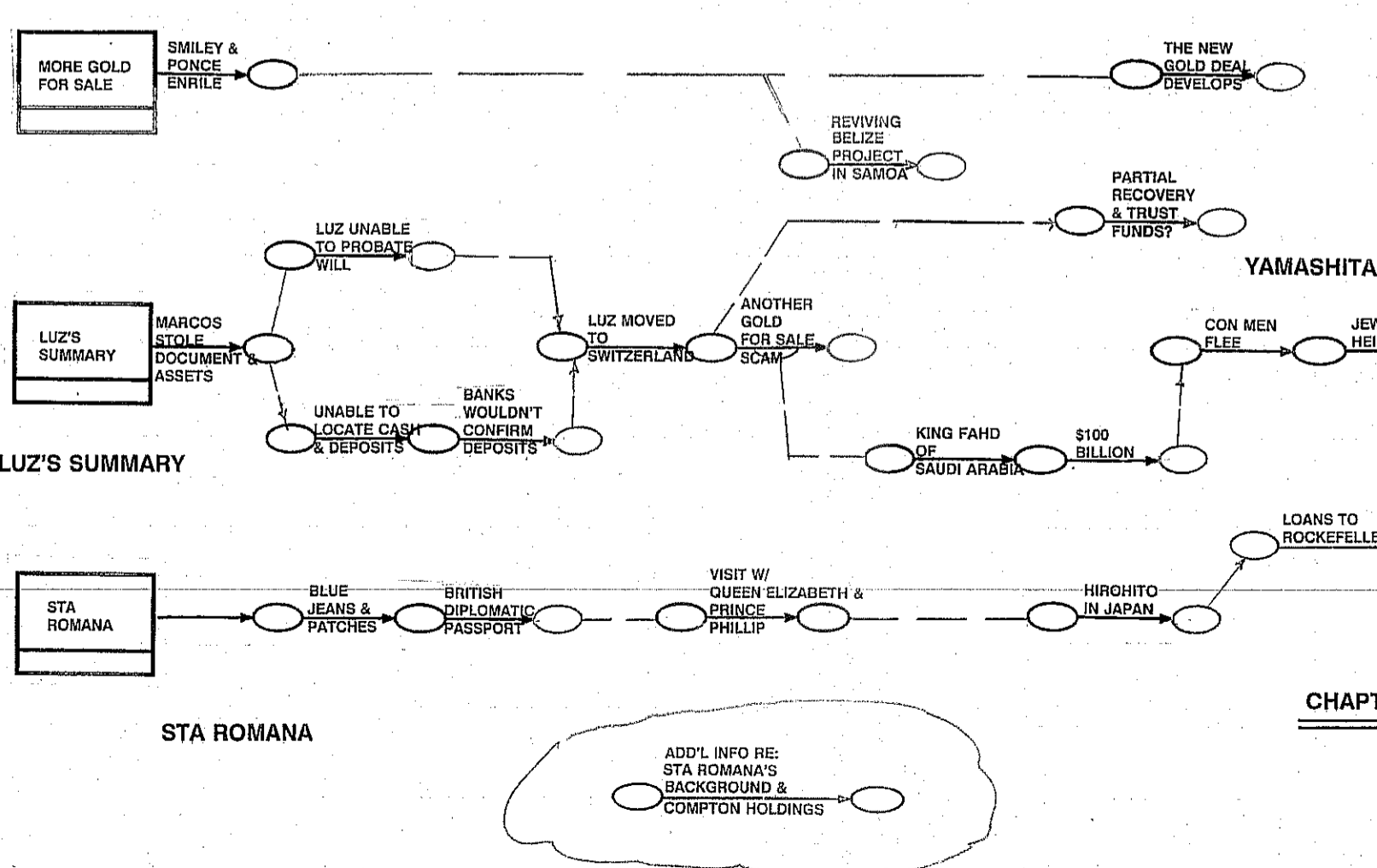
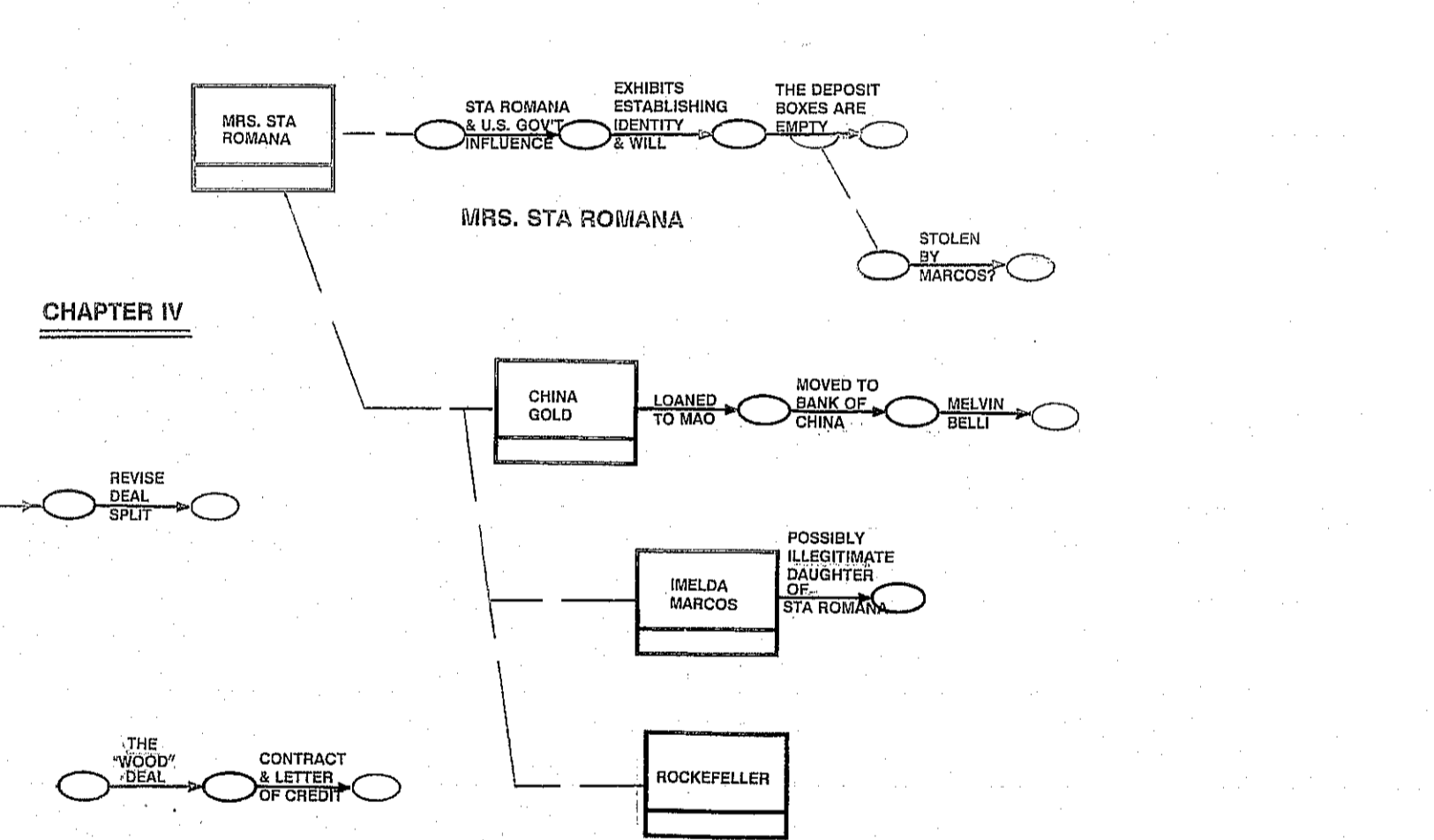
CHAPTER II



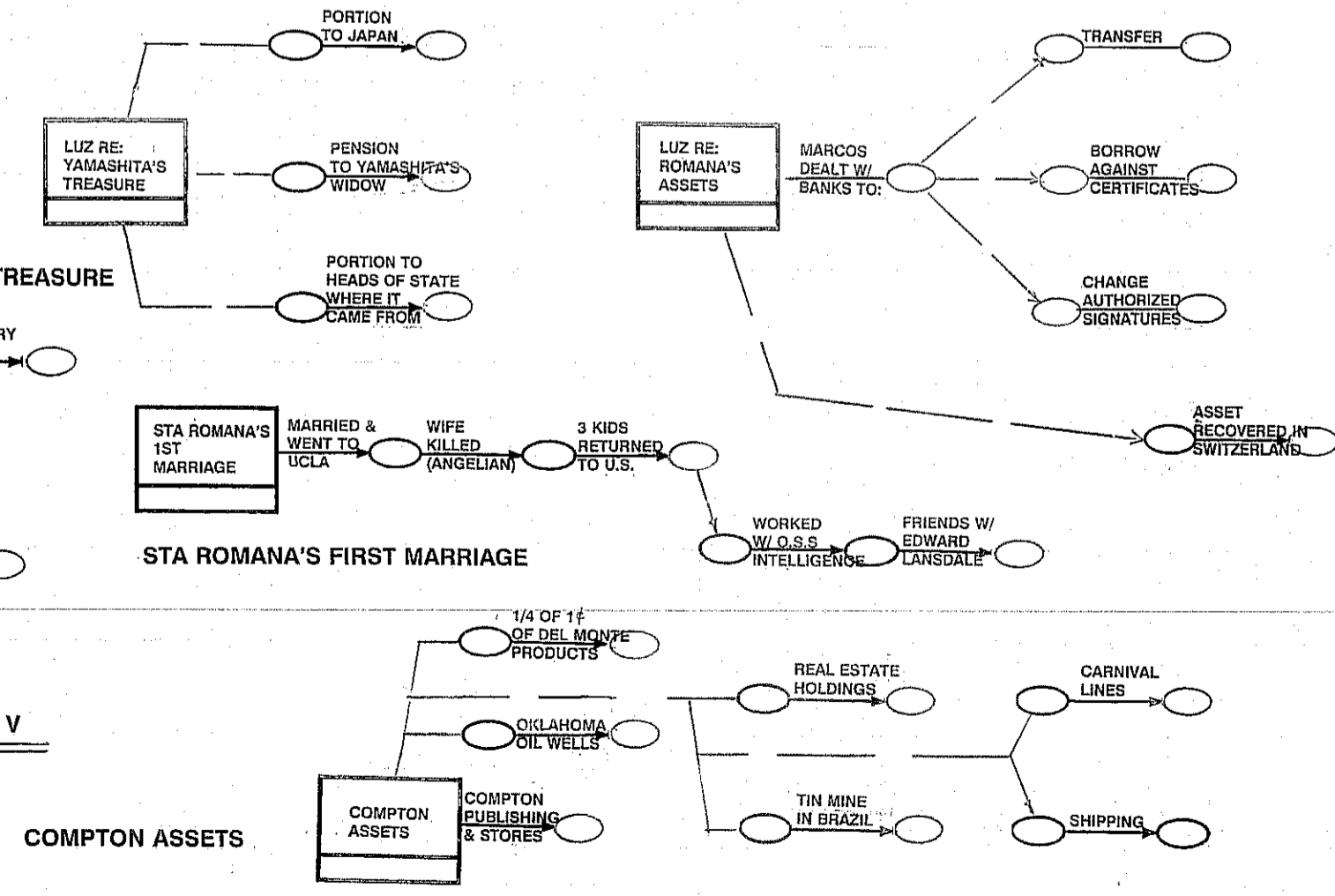
GOLD AND CASH CERTIFICATES



CHAPTER IV



CHAPTER V



CHAPTER VI

